

How do I get LATV?

1) Digital TV + Antenna + Canal 62.2



2) Analog TV + Antenna + Digital Converter Box +62.2



3) Verizon Fios + Channel 465



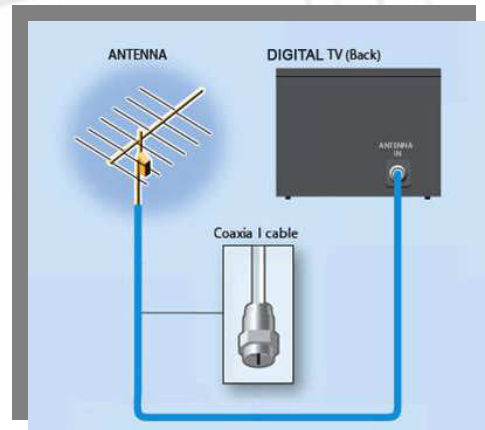
4) Brighthouse, Comcast, DirecTV, Dish Network



1) Digital TV + Antenna + 62.2

If your antenna has a coaxial cable

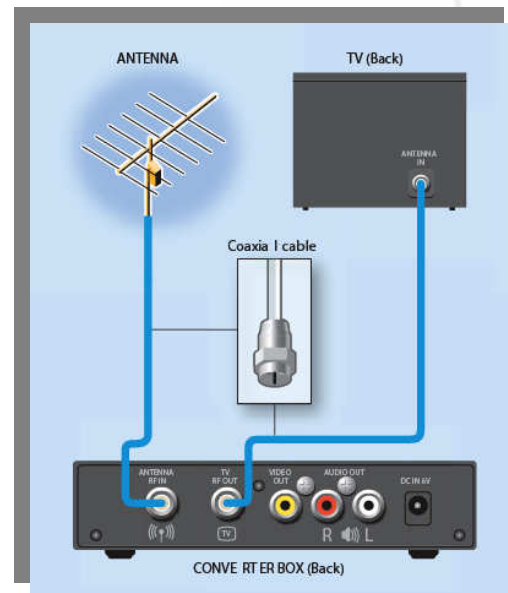
Connect the coaxial cable from the antenna into the TV In port on the TV. Power up the TV and then scan for channels. Tune the TV to channel 62.2 .



2) Analog TV + Antenna + Digital Converter Box + 62.2

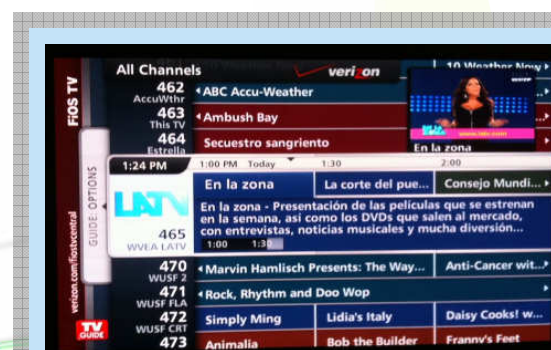
If your antenna has a coaxial cable

Plug the coaxial cable from the antenna into the Antenna RF In port on the converter box. Connect the coaxial cable that came with the box from the TV RF out port on the box to the in port on the TV. Power up the box and TV. Tune the TV to channel 3 to 4 (whichever the user manual for the box indicates). Scan the converter box for channels. Tune TV to channel 62.2



3) Verizon Fios – Channel 465

If you have Verizon Fios, select channel 465

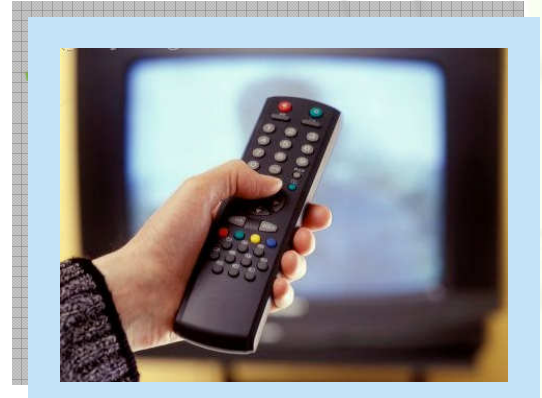


4) Brighthouse, Comcast, DirecTV, Or Dish

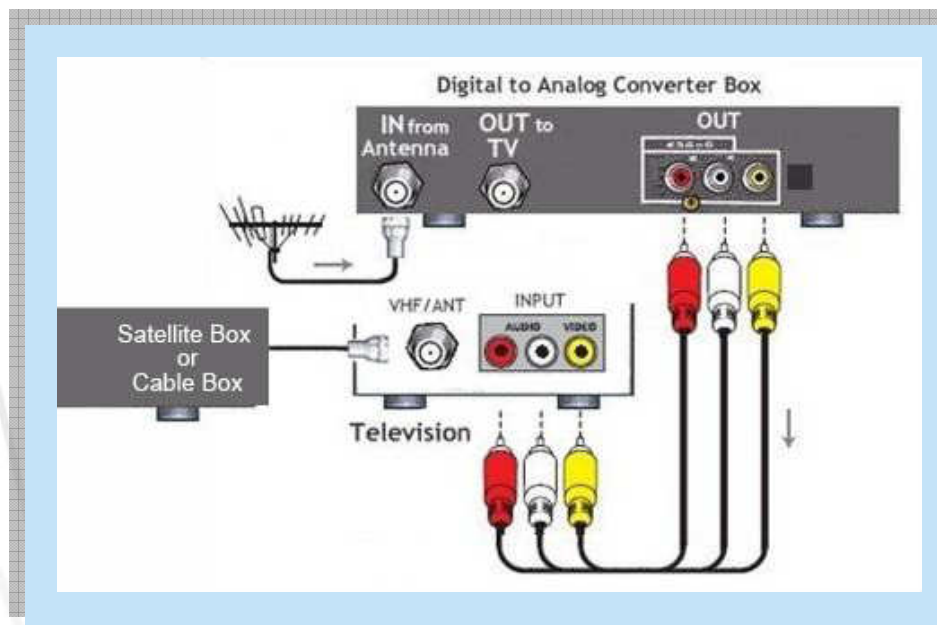
If you have Brighthouse, Comcast, DirecTV, or Dish Network:

OPTION 1

Select the input on remote



Select the Input button and change the video source. To use the input feature on the remote, follow the setup below:



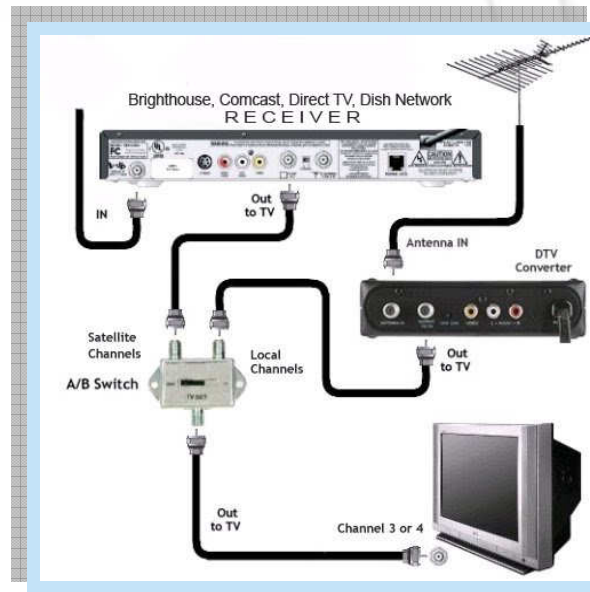
4) CONTINUED

If you have Brighthouse, Comcast, DirecTV, or Dish Network:

OPTION 2 USE A/B Switch

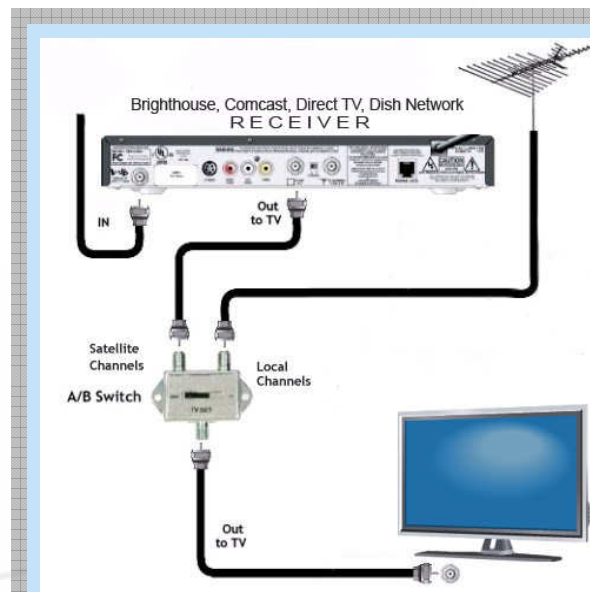
If you have an Analog TV

Plug the coaxial cable from the **antenna** into the Antenna RF In port on the converter box. Connect the coaxial cable that came with the box from the TV RF out port on the box to the A/B Switch. Also connect the Cable/Satellite Receiver to the A/B Switch. Then connect the A/B Switch with a coaxial cable to the in port on the TV. Power up the box and TV. You can now switch from Cable to Antenna to see LATV. Make sure you Re-scan your digital receiver. Select channel 62.2 to see LATV.

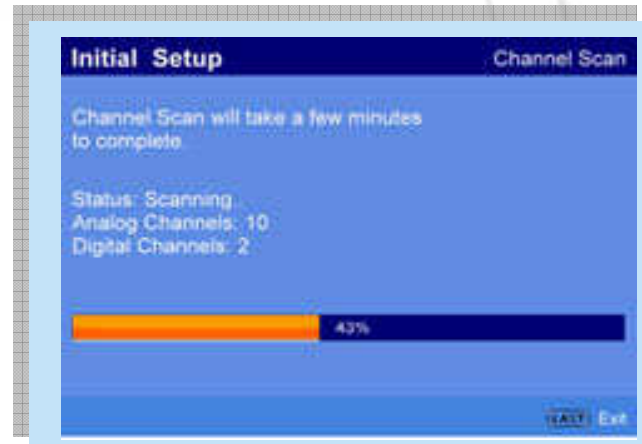


If you have a Digital TV

Plug the coaxial cable from the **antenna** to the A/B Switch. Also connect the Cable/Satellite Receiver to the A/B Switch. Then connect the A/B Switch with a coaxial cable to the in port on the TV. Power up the box and TV. You can now switch from Cable to Antenna to see LATV. Make sure you Re-scan your TV. Select channel 62.2 to see LATV.



How to Re-Scan



Disconnect the antenna from the converter box. Press MENU on the remote or the box. Select scan to search for available channels. When finished scanning disconnect the electrical power box for several minutes. Reconnect it and plug the antenna to the converter box. Finally go back to MENU and press SCAN again. LATV is channel 62.2